

NOTE:

Suitable for 80*80 or 86*86 face plate
 4-sided and one-Bottom cable inputs
 Suitable for power socket or switch installation
 Outdoor Application
 For wall or desktop Mounting

Accessories:

Expansion screw: ST-4*30 *4 set (wall-mounting)
 Rubber mat: 4pcs(waterproof after mounting)
 Fixed iron : L:100mm *2 pcs (face plate mounting)
 screw: ST-3*10*4pcs / ST-3.5*17*4 pcs
 Input: PG13.5 * 2 pcs
 user guide: 1pc
 RoHS3.0 CE IP66 Complinat
 Operating temperature:-20~+60°C
 Storage temperature:-40~+70°C
 Operation humidity:10%~85%
 Storage humidity:10%~85%
 Packing:1pc/PE BAG INNER BOX

MATERIAL LIST:

③	Cover	PC Black	1	
②	Middle Frame	ABS Gray	1	
①	Bottom box	ABS Gray	1	
NO.	PARTS NAME	SPECIFICATION DESCRIPTION	QT' Y	REMARK
		NEW	2022-08-04	A
BY	CHK	REVISION RECORD MODIFICATIONS	DATE	REV.

SYNERGY21

CUSTOMER		ITEM NO.	S216381		
PRODUCT NAME	IP66 waterproof outdoorbox	manufacture country:	CHINA	UNIT	MM
DRAWNBY	CHECKBY	APPOBY	DATE		
SYNERGY21	SYNERGY21	SYNERGY21	2022-08-04		

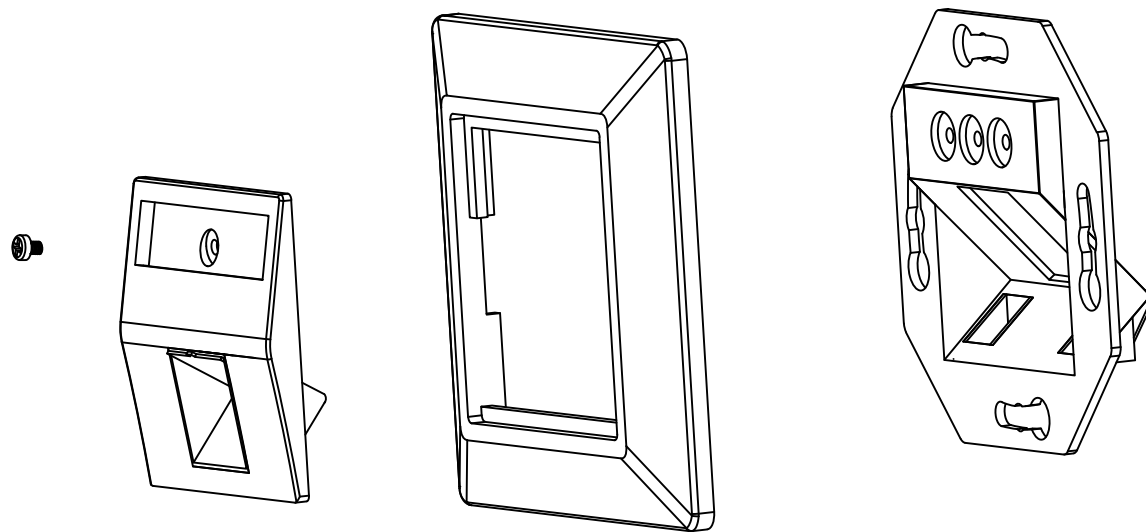


Chart:

ITEM NO	COLOUR
S216322V2	pure white, RAL9010

Materials:

Outlet Housing: ABS UL-94V2/Colour:see the chart

Outlet Base: ABS UL-94V2/Colour:see the chart

Metalic Plate:Al&Zn Alloy /Al&Zn Alloy,

ACCESSORY :

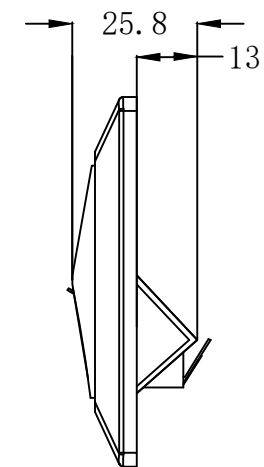
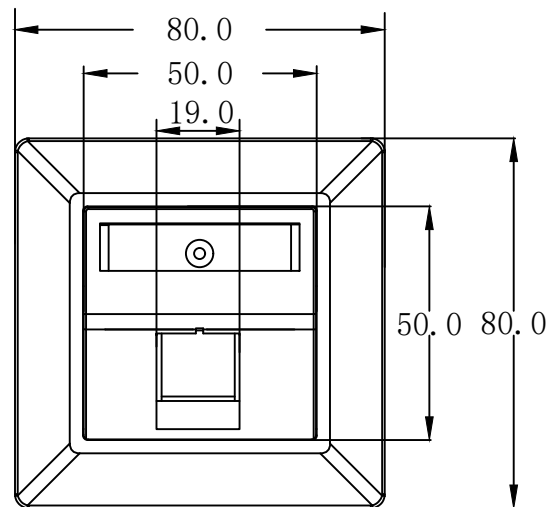
- 1.Label
- 2.Plastic gasket
- 3.Screw:M4*9*2Pcs

Storage Temperature: -40°C--+70°C

Operation Temperature:-10°C--+60°C

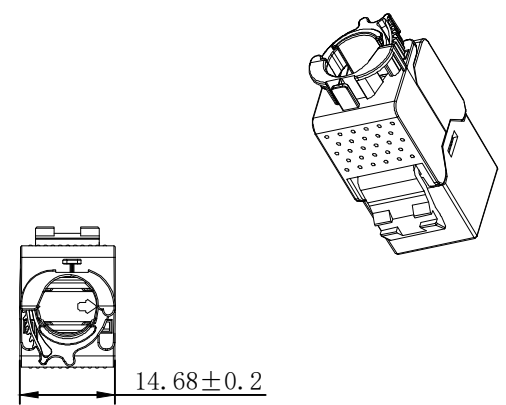
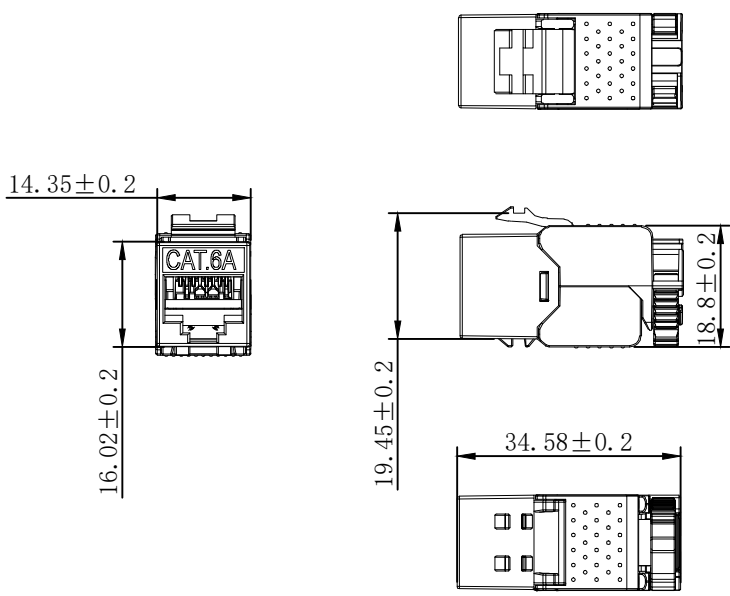
RoHS 3.0&REACH Compliant

Packing:PE bag+label



SYNERGY 21

		CUSTOMER		ITEM NO.		see the chart		
		PRODUCT NAME	FRAME SET 1PORT	manufacture country	China	UNIT	MM	
		NEW	2022-08-04	A	DRAWNBY	CHECKBY	APPOBY	DATE
BY	CHK	REVISION RECORD MODIFICATIONS	DATE	REV.	SYNERGY 21	SYNERGY 21	SYNERGY 21	2022-08-04



NOTES:

ELECTRICAL:

- 1. Contact Resistance : $20M\Omega$ MAX
- 2. Insulation Resistance : $500M\Omega$ MIN @ 500V DC
- 3. Withstand Voltage : DC 1000V AC 700V RMS 60Hz, 1MIN
- 4. Compliance with Class EA up to 500 MHz to ISO/IEC 11801 Ed.2.2:2011-06
DIN EN 50173-1:2011-09
TIA/EIA-568-C.2 (2009-08)
IEC 60603-7 Ed.1 (12/2008)

ENVIRONMENTAL:

- 1. Storage temperature : -40° TO $+70^{\circ}$
- 2. Operation temperature : -10° to $+60^{\circ}$

MECHANICAL

- 1. SHIELD MATERIAL: ZINC ALLOY
 - 2. IDC MATERIAL: PC TERMINAL:PHOSPHOR BRONZE, TIN PLATING
 - 3. RJ45 Contact Life: 750 Times Min
 - 4. Plug inforce: $<30N$
 - 5. Solid cable: 1/22AWG (0.65MM) - 1/26AWG (0.40MM) ID: 1.05MM - 1.5MM
 - 6. Cable OD: 5.0mm - 8.0mm
 - 7. PoE per IEEE 802.3af, PoE+ per IEEE 802.3at
 - 8. 360° Shield connection
- Packing: 1pc/PE bag+lable
(copper foil included)
RoHS 3.0 and REACH Compliant

MATERIAL LIST:

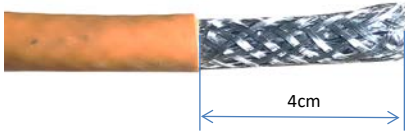
⑦	IDC TERMINAL	FOR 22-26AWG (0.45mm-0.65mm) CABLE	1	
⑥	LABEL COLOR CODE	T568A/B	2	
⑤	IDC PIN	PHOSPHOR BRONZE & TINNED	8	
④	IDC BODY	FIREPROOF/PC UL 94V0	1	
③	PCB	1.2mm UL 94V0	1	
②	RJ 45 JACK INSERT	PHOSPHOR BRONZE 8P8C GOLD PLATED	8	
①	MODULAR COVER	ZINC ALLOY	1	
NO.	PARTS NAME	SPECIFICATION DESCRIPTION	QT'Y	REMARK
		NEW	2022-12-06	A
BY	CHK	REVISION RECORD MODIFICATIONS	DATE	REV.

SYNERGY21

CUSTOMER		ITEM NO.	S216382		
PRODUCT NAME	Super slim Cat.6A/Class EA Keystone Jack	manufacture country:	CHINA	UNIT	MM
DRAWNBY	CHECKBY	APPOBY	DATE		
SYNERGY21	SYNERGY21	SYNERGY21	2022-12-06		

Installationsanleitung/Installation guide

Keystone Jack



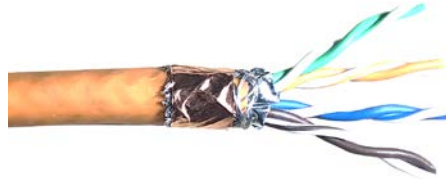
①.Stripping 4cm of sheath.



②.foldback braided and drained wire.



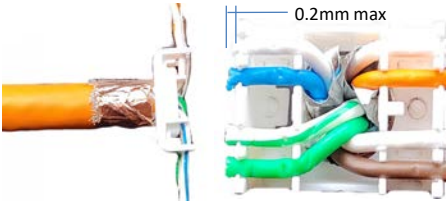
③.paste copper foil on the braided and ground wire and cut off the excess weave and the ground wire



④.4.Fan out all four twisted pairs, allocate each by following colorcoding label



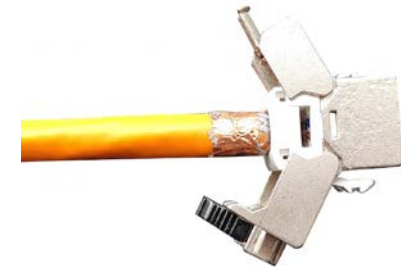
⑤.Across the holde by the color marks of T568A or T568B



⑥. allocate each conductor into proper slots on wiring cap by following color coding



⑦.Trim the theends of conductors.



⑧.install the termination cap in direction of arrow into the keystone jack



⑨.press both covers of the keystone jack to contact the cable



⑩.Fasten smart cable ties for 360 degree shielding