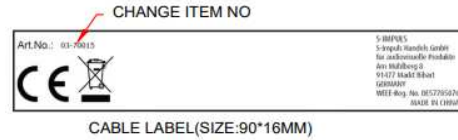
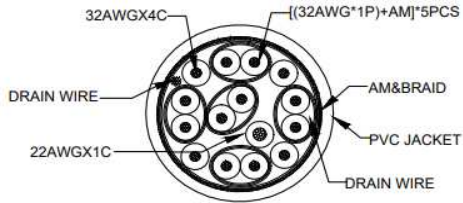


| | | | |
|--|---------|----|-----|
| | REVISED | DR | APP |
| | | | |

PIN ASSIGNMENT:

| USB C TYPE(P1) | USB C TYPE(P2) |
|----------------|-------------------|
| A5 | A5 cc |
| B5 | B5 cc |
| A6 | A6 Dp1 |
| A7 | A7 Dn1 |
| A2 | B11 SSRX p1 |
| A3 | B10 SSRX n1 |
| B11 | A2 SSRX p1 |
| B10 | A3 SSRX n1 |
| B2 | A11 SSRX p2 |
| B3 | A10 SSRX n2 |
| A11 | B2 SSTX p2 |
| A10 | B3 SSTX n2 |
| A8 | B8 SBU 2 |
| B8 | A8 SBU 1 |
| A1,B1,A12,B12 | A1,B1,A12,B12 GND |
| A4,B4,A9,B9 | A4,B4,A9,B9 Vbus |
| SHELL | SHELL |



| ITEM NO. | LENGTH |
|----------|---------|
| 03-70015 | 500±20 |
| 03-70025 | 1000±20 |
| 03-70155 | 1500±20 |
| 03-70035 | 2000±20 |

NOTE:
 1. Electronic test
 1.1 Open/short 100% test
 2. Max Datarate: Up to 10Gbps
 3. E-MARK IC : Hynetek Semiconductor (PD3 5A, 100W)

RoHS2.0 (2011/65/EU) Compliant

- Connections: USB-C plug to USB-C plug
- max. Bandwidth: 10 Gbps
- USB version: USB 3.1 (SuperSpeed USB 10Gbps)
- Compatible with all USB Type-A interfaces (i.a.): Hi-Speed USB, SuperSpeed USB 5Gbps, SuperSpeed USB 10Gbps
- Suitable for USB quick chargers / PowerDelivery (up to 100W)

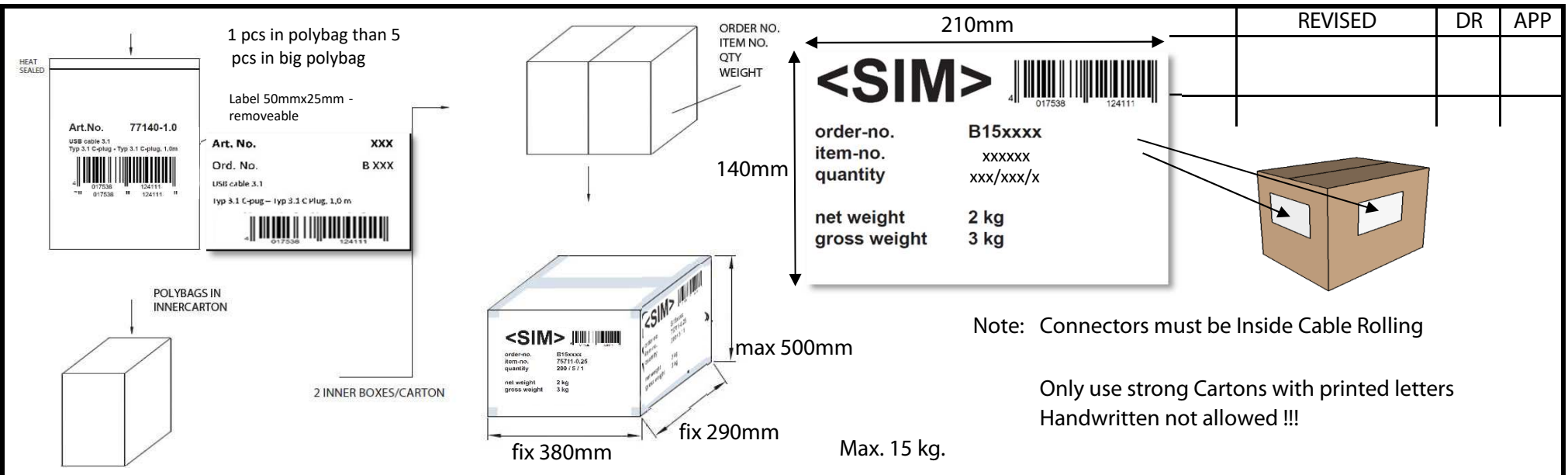
- Wire material: copper
- Plug: moulded
- Plug material: CuZnNi
- Contact surface: gold-plated pins
- Plug cover: metal, ALU

- Cable type: round cable
- Material cable sheath: "Highflex" PVC
- Cable sheath diameter (ca.): 5.0mm
- Color: blue

| | | |
|----|------------|---|
| 5 | DUST COVR | TRANSPARETN PE |
| 4 | OUTER MOLD | ALUMINUM/SILVER |
| 3 | BOOT | PVC/DARK BLUE |
| 2 | USB CM | USB C MALE, GOLD PLATED PIN, NICKEL PLATED SHELL |
| 1 | CABLE | [32AWG/1COPPER*1P+AL]*5+32AWG/1 COPPER*4C+22AWG/7 COPPER*1C +AL-FOIL+E+BRAID AL-MG, JACKET : PVC/DARK BLUE, OD: 5.0±0.2mm |
| NO | PART NAME | PICTURES AND COLORS CAN DIFFER FROM THE PRODUCT! |



| | | | | | | | |
|--------------------------------|----|---|------------|----------|--|-----|----------|
| DESCRIPTION | | HOME CINEMA USB-C CONNECTING CABLE, 3.1 | | | | | |
| SIZE | A4 | DATE | 17.08.2021 | CHECKED | | TOL | 03-70015 |
| UNIT | MM | DRAWN | R.Hueller | APPROVED | | | |
| CUSTOM TARIF NO.: 854442909000 | | | | | | | |



| ART.NO. | LENGTH | ROLLING SIZE | NET.WEIGHT (g) | PACKING | EAN CODE |
|----------|--------|--------------|----------------|--|---------------|
| 03-70015 | 0.5m | 100x80x14mm | 25g | 250 EXP / 125 INNER - 5/1 in pb with sticker | 4017538134950 |
| 03-70025 | 1.0m | 100x80x20mm | 38g | 200 EXP / 100 INNER - 5/1 in pb with sticker | 4017538134967 |
| 03-70155 | 1.5m | 110x90x20mm | 51g | 150 EXP / 75 INNER - 5/1 in pb with sticker | 4017538134974 |
| 03-70035 | 2.0m | 140x120x20mm | 66g | 100 EXP / 50 INNER - 5/1 in pb with sticker | 4017538134981 |
| | | | | | |
| | | | | | |
| | | | | | |
| | | | | | |
| | | | | | |
| | | | | | |
| | | | | | |
| | | | | | |
| | | | | | |

| | | | | | | |
|--------------------------------|----|---|------------|----------|--|-----------------|
| DESCRIPTION | | HOME CINEMA USB-C CONNECTING CABLE, 3.1 | | | | |
| SIZE | A4 | DATE | 17.08.2021 | CHECKED | | TOL |
| UNIT | MM | DRAWN | R.Hueller | APPROVED | | |
| CUSTOM TARIF NO.: 854442909000 | | | | | | |
| | | | | | | 03-70015 |