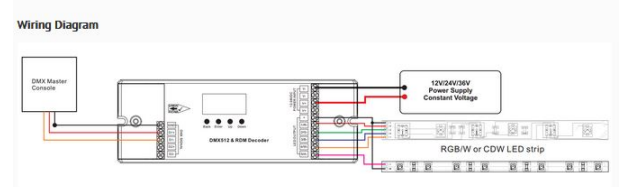
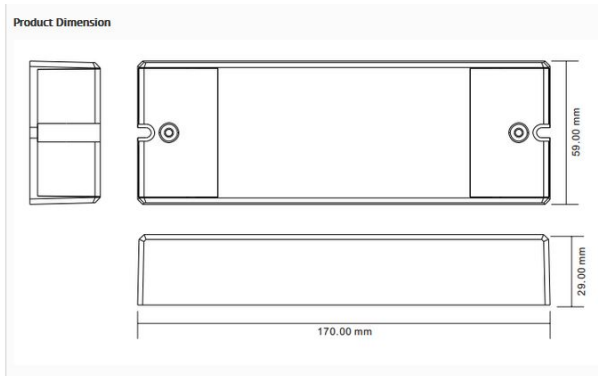


Synergy 21 LED Controller DMX 512 4*5A 16bit



Model 4 channel
Controller with DMX & RDM interface
and connection strip for LED-Stripes
with common positive pole
12V/24V, up to 5 A per channel,
Dimensions: 59x170x29mm
DMX-512 digital signals
8bit and 16bit switchable
Display for setting the DMX address

Additional Images



Accessories

Part No.	Name
90964	Synergy 21 LED Controller DMX 512 Master
81069	Synergy 21 LED zub Hollow Socket with Screw Terminals
81068	Synergy 21 LED zub wooden plug with screw terminals
181756	Synergy 21 LED DMX cable RJ-45 -> XLR